

Confidential Information

The information in this document is confidential and must not be disclosed to other parties or used to build the described components without the written permission of Oxford Technical Solutions.

Print Size:	A4
Scale:	N/A
Units:	mm
Tolerances:	5mm

Notes:

Red and Black cables to J3 should be 16/0.2 Sleeved with Black adhesive heatshrink

Cut and make safe the red core at each end of the 4 core cable

Sleeve both cables leaving J1 together

Overlap the end of sheeves on 4 core cable by 2mm with 25mm of Heatshrink

Cover all soldered connections with heatshrink

Cable Ident to show both part number and www.oxts.com

Cable Ident to positioned at the center of the cable

Strip and tin ends of Red & Black cables 5mm

Discard thumb screws from J2 back shell, fit two 8mm screwlocks with spring washer and nut through D-sub mounting holes

Fuse F1 is fitted inside the case of J1. Heat shrink sleeve over all connections and made safe.

Edit History:

150218 New Cable
 1Oct19 fuse added
 14Oct19 fuse changed

Cable Name:

xNAV5xx Satel Radio Modem Cable

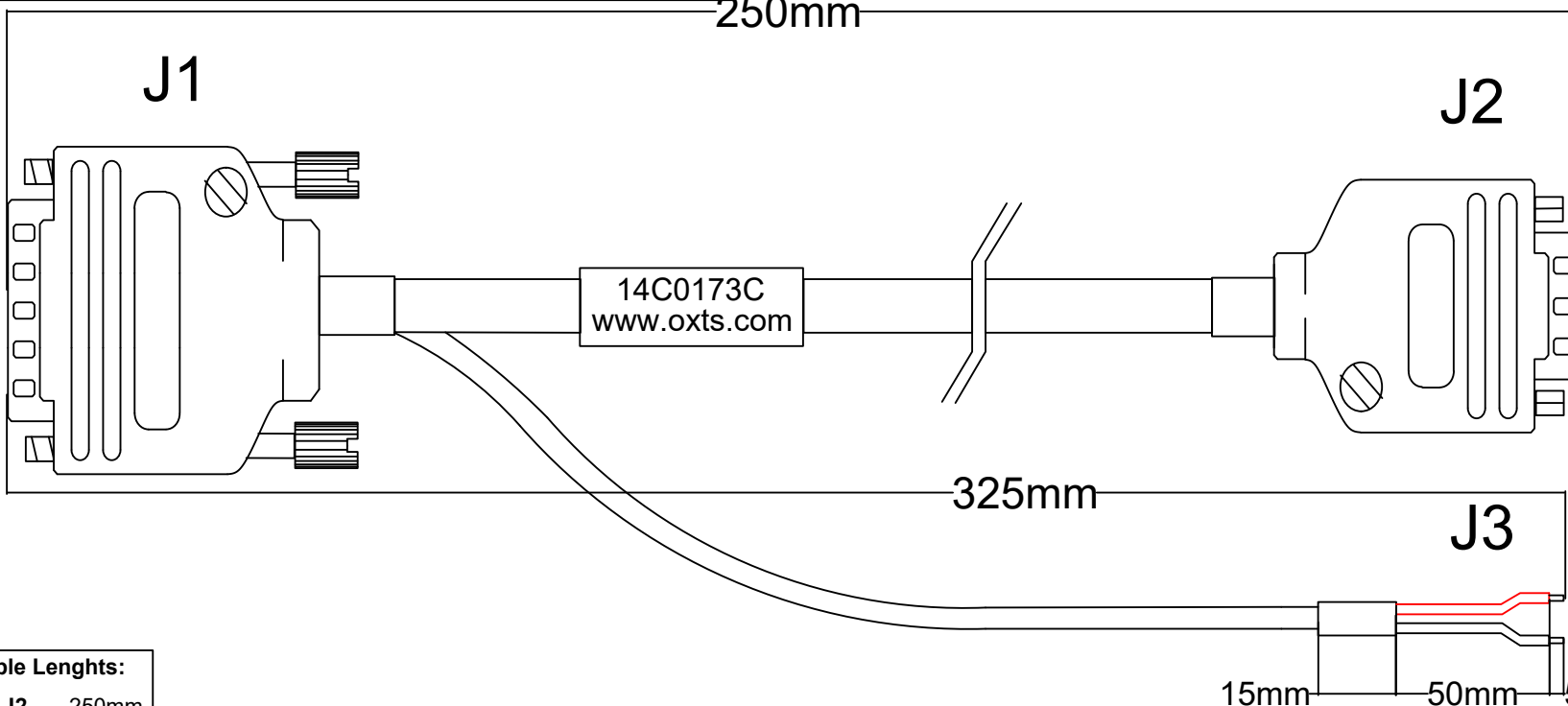
Connector/Boot Details

J1	RS Straight Panel Mount Solder D-sub Connector, Plug, 15 Way, 750 V ac/dc, 5A	RS 473-903
J2	RS Straight Panel Mount Solder D-sub Connector, Socket, 9 Way, 5A	RS 473-896
J1 Back shell	15 way top entry plastic D hood	RS 322-9866
J2 Back shell	9 way top entry plastic hood for D conn	RS 322-9850
4 Core cable	RS 4 Core Industrial Cable 0.5 mm ² CSA 2.5 A 440 V Unscreened PVC Sheath , 6.7mm od , 25m	RS 660-7067
Heatshrink	TE Connectivity Polyolefin Cable Sleeve Refill Refill, 3:1 Shrink Ratio 3mm	RS 364-1446
Heatshrink	TE Connectivity Polyolefin Cable Sleeve Refill Refill, 3:1 Shrink Ratio 2mm	RS 364-1452
Heatshrink	TE Connectivity Polyolefin Cable Sleeve Refill Refill, 3:1 Shrink Ratio 1mm	RS 364-1430
Screwlock	Female NiPt D screwlock assembly,8mm	RS 453-886
Ident	White Heatshrink Label	
F1	Axial Leaded Fuse, Schurter	7010.7090.13

All part numbers for guide only
 suitable alternatives may be used

J1 Pin	Colour	Function	Conn
9	Blue	RT Rx to Radio	J2-2
11	Yellow	RT Tx to Radio	J2-3
1+14+15	Red	+Supply_fused	F1-1
7+8	Green + Black	Supply Return	J2-5+ J3 Black

Fuse F1		
Pin	Function	Conn
1	+Supply_fused	J1-15
2	+Supply	J3-Red



Cable Lengths:

J1-J2	250mm
J1-J3	325mm